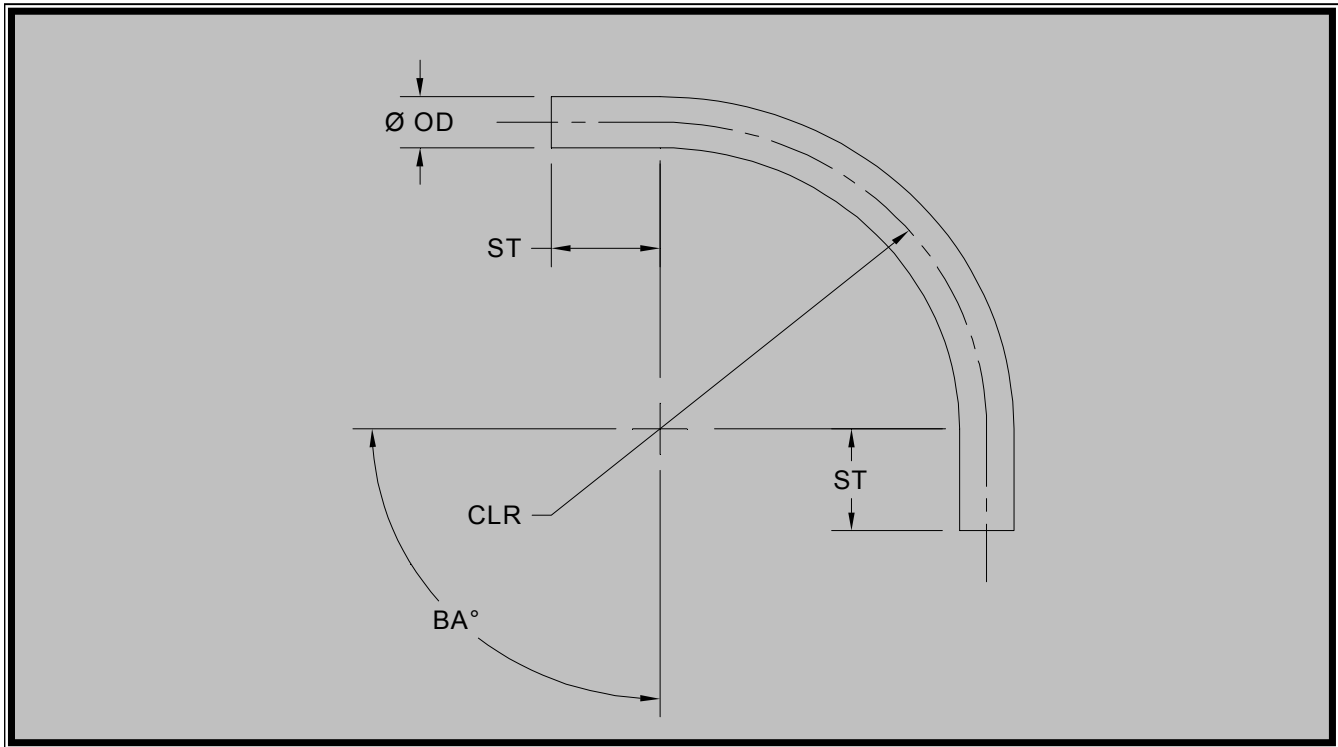


# Pneu-Con Formed Tube Bends Chart

## Formed Bends 45° & 90°



Tube OD	Bend Angle	CLR	ST	Gauge/Wall
1.25	45°	3, 9, 12	4.00	16/.065
1.50	45°	9, 12, 18, 24, 36	4.00	16/.065
1.75	45°	9, 12, 18, 24, 36, 48	4.00	16/.065
2.00	45°	9, 12, 18, 24, 36, 48	4.00	16/.065
2.25	45°	12, 18, 24, 36, 48	4.00	16/.065
2.50	45°	12, 18, 24, 36, 48	5.00	16/.065
3.00	45°	12, 18, 24, 36, 48, 60	6.00	16/.065
4.00	45°	12, 18, 24, 36, 48, 60	8.00	14/.083
5.00	45°	30, 36, 48, 60	10.00	14/.083
6.00	45°	30, 36, 48, 60	12.00	14/.083